

2 YEAR WARRANTY



MVK-325



MVK-325

"Ранина" ООД
WWW.RANINA.COM

MVK-325 video door intercom call panels

Description

- designed for severe weather conditions
- damp-proof design of electronic boards and main components
- high audio channel sound quality
- efficient concealed IR lighting
- metal vandal-proof casing design
- shock-proof powder coating
- pinhole lens
- fully compatible with the Commax, Kocom, Polivision, Hyundai and Falcon video door intercom monitors



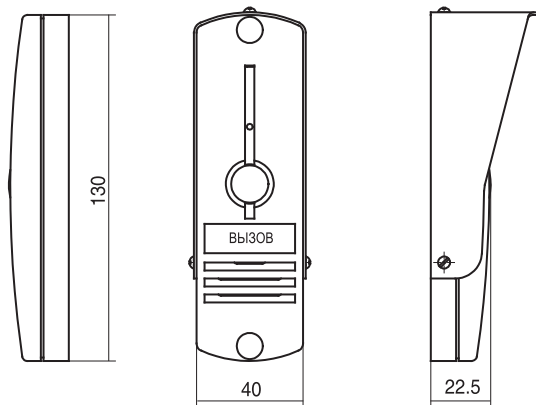
Specifications

Allowable humidity	up to 98 %
Operating temperature range, °C	-45... +50
Resolution, lines	380
Lens focal distance, mm	3.7
IR lighting operating distance, m	up to 1
Power supply from monitor, V	12
Connection scheme	4-wire
Lock control	available

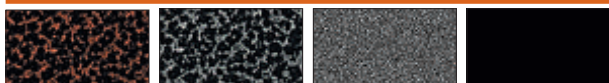
Features

- automatic adjustment of microphone sensitivity and speaker volume
- electronic board based on Motorola audio processor
- rim casing design
- angle adapter and visor included

"Ранина" ООД
WWW.RANINA.COM



COLOR VERSIONS



antique copper antique silver gray black