

# Power Supplies and Batteries

# 5

**Power Supplies**

**116**

# Power Supply Unit Kit 12 V/5.4 A

---

Power Supply Unit for universal utilization

---

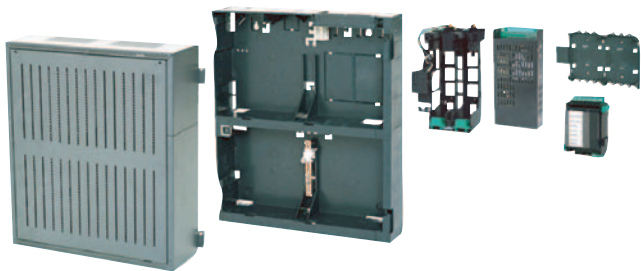
## Ordering Information

**Power Supply Unit Kit 12 V/5.4 A**  
for universal utilization

**FPP-BS-12V5A**

5

## FPP-5000 External Power Supply Unit Kit 24 V/6 A

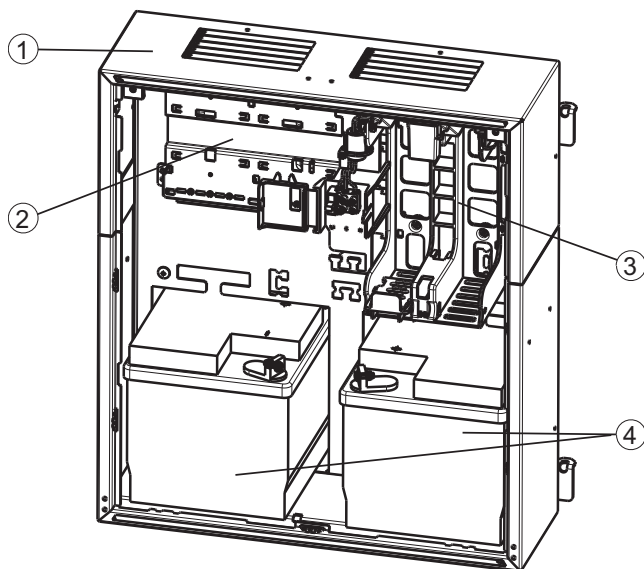


### Features

- ▶ **Charging process controlled by temperature and time**
- ▶ **Voltage outputs each electronically fused and connectable in parallel**
- ▶ **Can hold two batteries**

The FPP-5000 External Power Supply Unit Kit is designed for universal power supply, and has space for two 12 V/45 Ah batteries. This is configured using components of the Modular Fire Panel FPA-5000.

### System Overview



### Pos. Description

- 1 Power Supply Housing, Frame Installation, medium PMF 0002 A
  - 2 Mount for 1 Panel Rail Short PRS 0002 A to hold 1 Battery Controller Module BCM-0000-B
  - 3 Power Supply Bracket for 1 UPS 2416 A Universal Power Supply 24 V/6 A
  - 4 Space for 2 batteries 12 V/45 Ah
- The Power Supply Housing is positioned on a Mounting Frame Medium FMH 0000 A (not shown).

### Functions

In the case of the FPP-5000 Power Supply Unit, the Panel Rail made of glass fiber reinforced plastic is fitted a BCM-0000-B Battery Controller Module.

The Power Supply Unit is inserted into the Power Supply Bracket, and is immediately operational via the pre-wired plug-and-socket connections.

The bracket is equipped with a thermal sensor.

The Universal Power Supply UPS 2416 A is protected against excess voltage and reversed polarity. The output voltage is monitored and controlled externally. The output FAULT signals that a malfunction has occurred. The green onboard LED shows that the unit is operational.

The BCM-0000-B Battery Controller Module monitors the power supply and controls the charging of the batteries (2 x 12 V / 45 Ah), subject to temperature parameters and set times.

Each voltage output is electronically fused. All voltage outputs can be connected in parallel.

### Certifications and Approvals

Complies with:

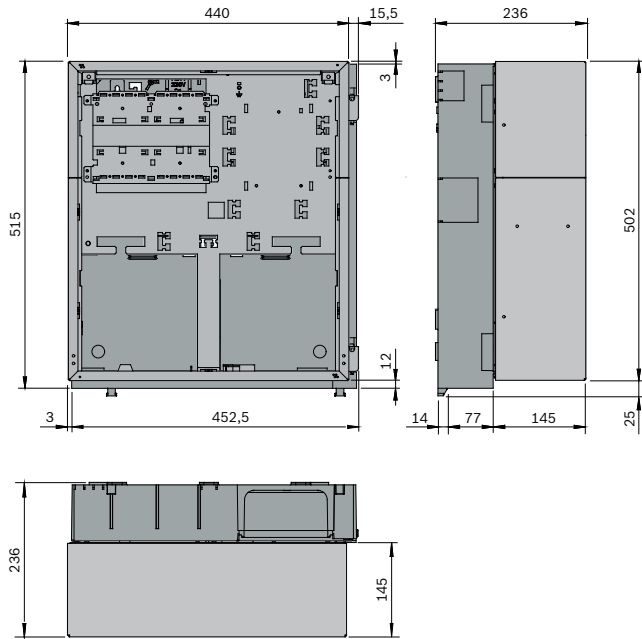
- EN 54-4:1997/A1:2002
- EN 54-17:2005

Region	Certification	
Europe	CE	FPP-5000 Energieversorgung
	CPD	0786-CPD-20357 FPP-5000
Germany	VdS	G 205050 FPP-5000
Russia	GOST	POCC DE.C313B06299
Bulgaria	GD FSPP	POPSd 61 FPP-5000

5

**Installation/Configuration Notes**

**Installation dimensions**



Capacity of the fault outputs 0 V / 0 to 20 mA  
 BAT FAULT, AC FAULT, and  
 collective fault

**Voltage outputs**

- 2 switch outputs +24 V / 2.8 A (20.4-30 V), battery buffered

**Mechanics**

Housing material	Sheet steel, painted
Housing color	Slate gray, RAL 7015 Front: anthracite gray, RAL 7016
Dimensions (installed)	Approx. 502 x 450 x 327 mm (approx. 19.8 x 17.7 x 12.9 in.)

**Environmental Considerations**

Classes of equipment as per EN 60950	Class I equipment
Permissible operating temperature	-5 °C to 50 °C (23 °F to 122 °F)
Permissible storage temperature	-20 °C to 60 °C (-4 °F to 140 °F)
Relative humidity	Max. 95% non-condensing
Cooling	Ventilation without ventilator

**Parts Included**

Amount	Components
1	PMF 0002 A Power Supply Housing Frame Installation medium, with Power Supply Bracket
1	FMH 0000 A Mounting Frame Medium
1	UPS 2416 A Universal Power Supply 24 V/6 A
1	PRS 0002 A Panel Rail Short
1	BCM-0000-B Battery Controller Module
1	CPB 0000 A Cable Set BCM/UPS
1	CBB 0000 A Cable Set BCM/Battery
1	Battery pole connection cable for Frame Installation Housing
1	Supplementary package

**Note** Optional: Earth Bar FPO-5000-EB

**Ordering Information**

**FPP-5000 External Power Supply Unit Kit 24 V/6 A**      **FPP 5000**

**Technical Specifications**

**Electrical**

Input voltage range	100 V AC to 240 V AC
Input frequency range	50 Hz to 60 Hz
Efficiency	85%
Bridging time	> 100 ms at 230 V AC
Output voltage	
• Mains supply	26 to 29 V DC (dependent on temp.)
• Mains supply nominal	26.8 V DC (at 40 °C)
• Battery supply	21 to 23 V DC
Max. output current	6 A
Max. output	160 W (permanent)

# FPP-5000-TI Trouble Interface for FPP-5000

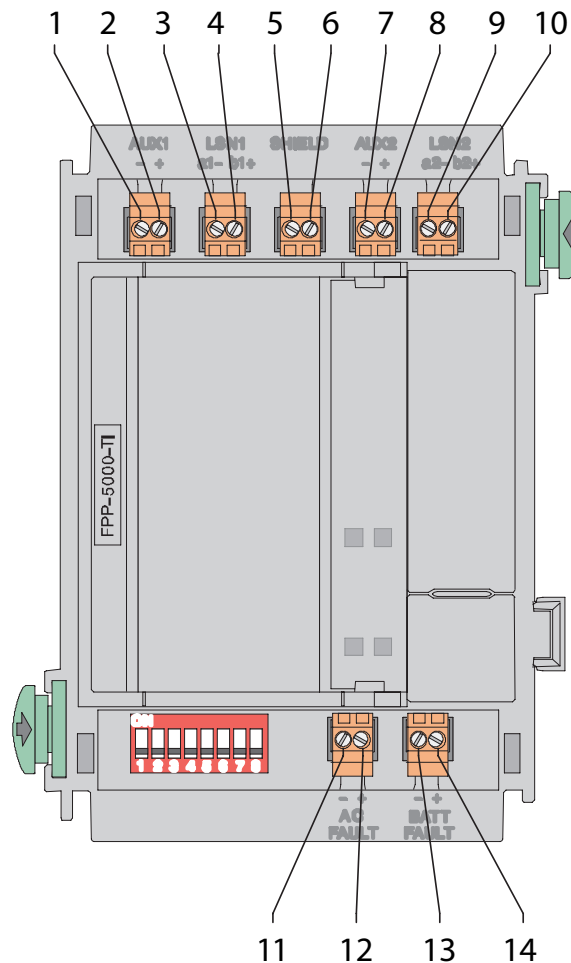


### Features

- ▶ Installation and auto-detection by simply inserting the modul into the Panel Rail
- ▶ Fault message transfer of mains fault signal and battery fault signal via Local SecurityNetwork LSN.

The FPP-5000-TI is an extension for the FPP-5000 External Power Supply Unit Kit 24 V/6 A. It provides the fault message transfer of the mains fault signal and the battery fault signal to the fire panel via the Local SecurityNetwork LSN. The two fault messages are provided by the corresponding outputs at the BCM 0000 A Battery Controller Module. The module is directly connected to the LSN data bus and is also power supplied via the LSN data bus line.

### Functions



Pos.	Labelling	Connection
1	AUX1 -	Auxiliary power supply incoming (support points to loop through)
2	AUX1 +	
3	LSN1 a1 -	LSN incoming
4	LSN1 b1 +	
5	SHIELD	Shield wire
6	SHIELD	
7	AUX2 -	Auxiliary power supply outgoing (support points to loop through)
8	AUX2 +	
9	LSN1 a2 -	LSN outgoing
10	LSN1 b2 +	
11	AC FAULT -	Mains fault input
12	AC FAULT +	
13	BATT FAULT -	Battery fault input
14	BATT FAULT +	

### Technical Specifications

#### Electrical

Input voltage (min - max)	15 V DC to +33 V DC
Maximum current consumption	1.15 mA at 24 V DC (from LSN)

**Mechanical**

Address setting	Via eight DIP switches
Housing material and color	ABS plastic, (UL94 V-0), semi-gloss anthracite, RAL 7016
Dimensions (W x H x L)	Approx. 127 x 96 x 60 mm (approx. 5.0 x 3.8 x 2.4 inches)

**Environmental conditions**

Protection type as per IEC 60529	IP 20
Permissible operating temp.	-5 °C to 50 °C (23 °F to 122 °F)
Permissible storage temp.	-20 °C to 60 °C (-4 °F to 140 °F)
Relative humidity	Max. 95% non-condensing

**Ordering Information**

<b>FPP-5000-TI Trouble Interface for FPP-5000</b>	<b>FPP-5000-TI</b>
---	--------------------

**Converter Kit 24 V/28 V/35 V**

Voltage Converter for UEV 1000 and UZG 1000 to convert 12 V to 24 V, 28 V or 35 V

**Note** Installation in the UZG 1000 is possible only in conjunction with the Power Supply Unit Kit 12 V / 5,4 A.

**Ordering Information**

<b>Converter Kit 24 V/28 V/35 V</b> for UEV 1000, UZG 1000 (Power Supply Unit Kit 12 V/5,4 A required)	<b>FMX-BSW-24V28V35V</b>
---	--------------------------